

## PRODUCT INFORMATION

PROCESS ANALYSIS

SOLITAX SC



# For the lowest turbidity and the highest solids content: SOLITAX sc

- **Colour-independent measurement of solids**
- **No calibration**
- **Proven cleaning system**
- **As in-tank or in-pipe probe**
- **Combinable with probes for O<sub>2</sub>, NO<sub>3</sub>, pH, etc**

### Wide field of application

The high-precision process probes of the SOLITAX sc family determine turbidity in ultraclear to strongly turbid liquids, and solids concentrations in activated, primary and digested sludges. The potential applications for SOLITAX sc therefore range from drinking and wastewater treatment to the monitoring of surface water and the treatment of sludge.

### Economically efficient

Time-consuming multipoint calibrations with dilution series are replaced by a single correction factor. The wide range from 0.001 FNU to 150 g/l covers the optimal solution for every application. The measurement data is displayed and processed with the help of the SC100 or SC1000 Controller. In short: Advantages that are long-lasting and economically efficient.

# Persuasive advantages: SOLITAX sc

### Maximum time saving

All SOLITAX sc probes are factory calibrated in conformity with DIN EN ISO 7027 for long-term calibration stability. A correction factor replaces the time-consuming multipoint on-site calibrations. The automatic wiper eliminates soiling of the measurement window as it occurs. The result: more stable measured values and lower maintenance costs.

### Maximum variability

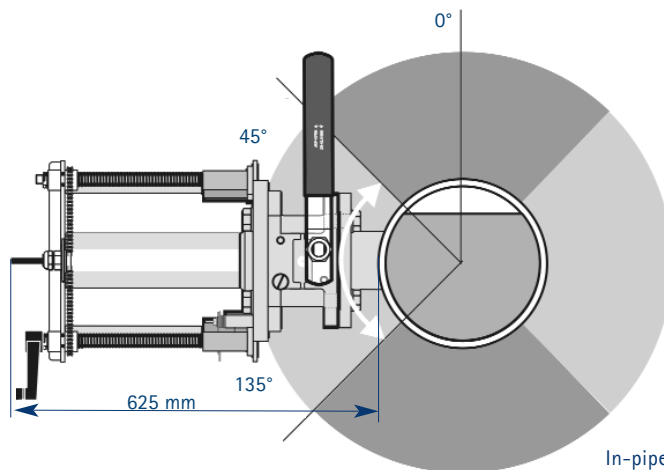
Turbidity and solids measurement, plastic or stainless steel housing, with or without wiper system - SOLITAX sc offers the right probe for every field of application. This variability is also reflected in the fixing systems for the immersion and in-pipe probes.

### SOLITAX sc variants

	t-line sc	ts-line sc	inline sc	hs-line sc	highline sc
<b>TURBIDITY MEASUREMENT</b>					
Drinking water	●	●	●	●	●
Wastewater	●	●	●	●	●
<b>SOLIDS MEASUREMENT</b>					
Primary sludge				●	●
Thickened sludge				●	●
Active sludge		●	●	●	●
Return sludge		●	●	●	●
Dewatered return sludge		●	●	●	●
Digested sludge				●	●
Centrate		●	●	●	●
Lime sludge		●	●	●	●

● suitable

### Installing SOLITAX sc as insertion probe



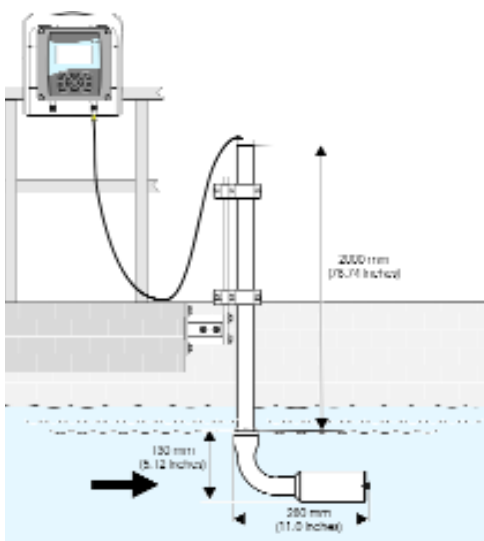
In-pipe installation with the help of safety fitting; recommended mounting angle 45° to 135°.

## Technical data

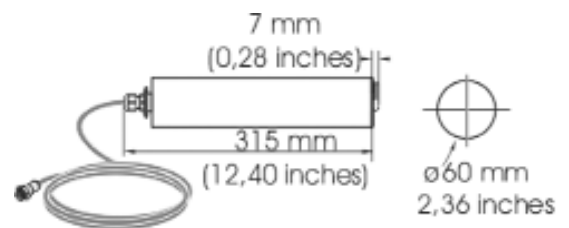
	t-line sc	ts-line	inline sc	hs-line sc	highline sc
Parameters	Turbidity -			Turbidity Solids	
Measurement procedure	90° IR scatter light			IR dual scatter light	
- Turbidity	DIN EN ISO 7027			DIN EN ISO 7027	
- Solids	-			Equivalent to DIN 37414	
Measuring range					
- Turbidity*	0.001 - 4,000 FNU			0.001 - 4,000 FNU	
- Solids	-		0.001 - 50 g/l		0.001 - 150 g/l
Accuracy					
- Turbidity*	<1% or 0.001 FNU			<1% or 0.001 FNU	
- Solids	-			<5%	
Response time	1 - 300 sec			1 - 300 sec	
Sample temperature	0 - 40 °C			0 - 40 °C	
Flow rate	3 m/s			3 m/s	
Immersion depth	0.1 - 10 m	0.1 - 10 m/60 m**	-	0.1 - 10 m/60 m**	-
Pressure range	1 bar	1 bar/6 bar**	6 bar	1 bar/6 bar**	6 bar
Weight	520 g/ - **	520g/1400 g**	- /2400 g**	520g /1400 g**	- /2400 g**
Dimensions (D x L)	60 x 200 mm	60 x 200 mm	60 x 315 mm	60 x 200 mm	60 x 315 mm
Housing	PVC	PVC/stainless steel	Stainless steel	PVC/stainless steel	Stainless steel
Cleaning	With automatic wiper/without				
Cable length	10 m fixed, max. 100 m extension cable				
Type of fitting	Immersion probe	Immersion probe	Insertion probe	Immersion probe	Insertion probe
Display unit	SC 100 Controller (model LXV401) or SC 1000 Controller (model LXV400 and model LXV402)				

\* For user-specific offset and gradient correction; \*\* PVC/stainless steel

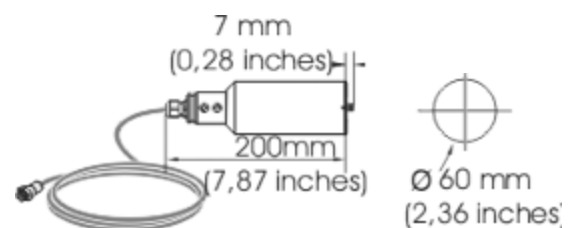
### Installing SOLITAX sc as immersion probe



### SOLITAX sc insertion probe



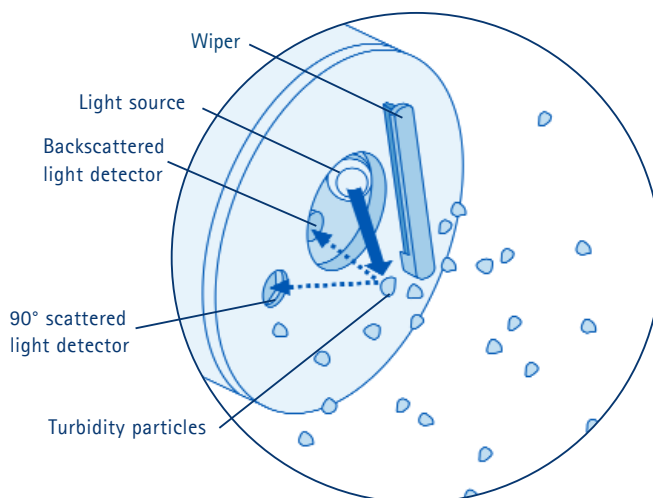
### SOLITAX sc immersion probe



## The SOLITAX sc principle

### Unique colour-independent measurement of solids

Primary and active sludges with different structures and colours, dark digested sludges and light lime sludges make the highest demands on the precise measurement of solids. Only SOLITAX sc solids probes with the patented dual scattered light method can satisfy these demands. The key principle: Parallel evaluation of different scattered light signals.



Function of SOLITAX sc



#### SC 100 Controller

Up to two SC probes can be connected, e.g. SOLITAX sc with O<sub>2</sub>, pH, NO<sub>3</sub>, etc.



#### SC 1000 Controller

Up to eight SC probes can be connected; optional expansion through networking.

### Ordering information

DESCRIPTION	ART. NO.
SOLITAX sc, stainless steel, with wiper*	
- ts-line	LXV423.99.00100
- hs-line	LXV423.99.00200
- inline	LXV424.99.00100
- highline	LXV424.99.00200
SOLITAX sc, plastic (PVC), with wiper*	
- t-line	LXV423.99.10000
- ts-line	LXV423.99.10100
- hs-line	LXV423.99.10200
<b>ACCESSORIES</b>	
Tank rim mounting	LZX414.00.10000
In-flow safety fitting, stainless steel	LZX337
In-flow fitting, stainless steel	LZX461
Weld-on flange, stainless steel	LZX660
Extension cable	
- 5 m	LZX848
- 10 m	LZX849
- 15 m	LZX850
- 20 m	LZX851
- 30 m	LZX852
- 50 m	LZX853
SC 100 Controller	LXV401
SC 1000 Controller	LXV400 and LXV402
<b>SPARE PARTS AND CONSUMABLES</b>	
Wiper profiles, silicone (5 mm)	LZX050
Wiper profiles, Viton (5 mm)	LZX578

\* All SOLITAX sc probes are also available without a wiper.

### HACH LANGE Services



Ordering, information and advice:  
UK: +44 (0) 161 872 14 87  
EU: +49 (0) 2 11 52 88-0



Support on-site by expert sales team.

**DR. BRUNO LANGE GMBH**  
Willstätterstraße 11  
D-40549 Düsseldorf  
Tel. +49 (0)2 11 52 88-0  
Fax +49 (0)2 11 52 88-143  
info@hach-lange.de  
www.hach-lange.com

**HACH LANGE LTD**  
Pacific Way  
Salford  
Manchester, M50 1DL  
Tel. +44 (0)161 872 14 87  
Fax +44 (0)161 848 73 24  
info@hach-lange.co.uk  
www.hach-lange.co.uk

**HyXo Oy**  
P.O. Box 16 (Palokorvenkatu 2)  
FI-04261 Kerava, Finland  
Tel. +358 10 417 4500  
Fax +358 10 417 4501  
hyxo@hyxo.fi • www.hyxo.com

